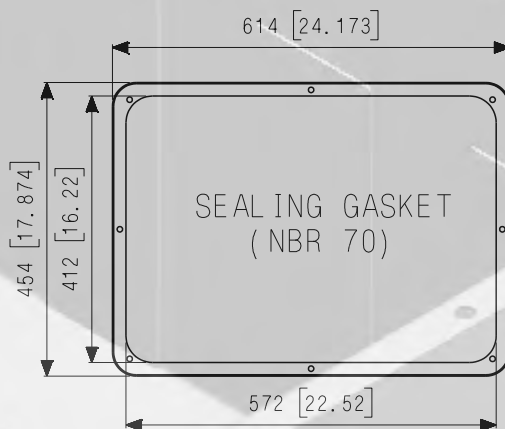
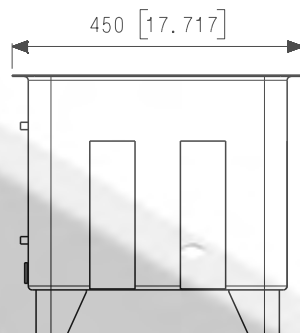
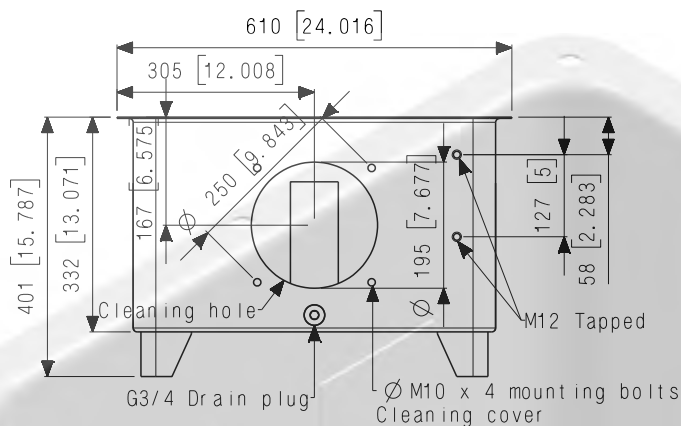
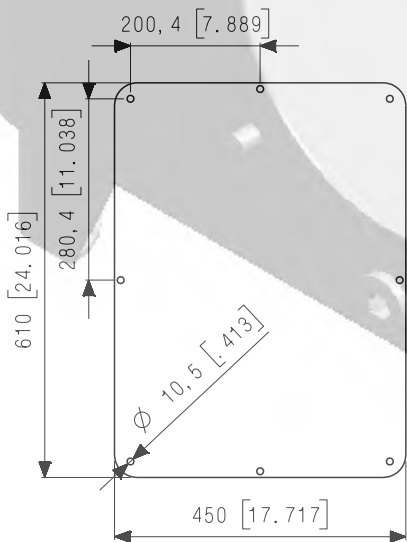
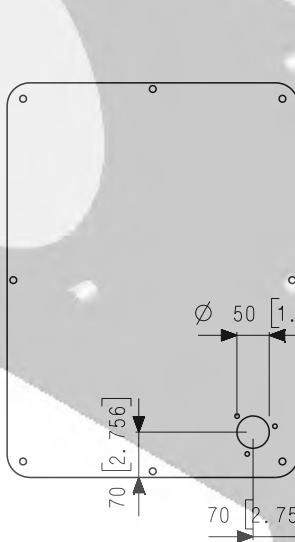
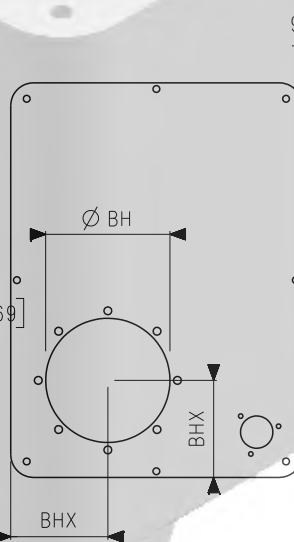
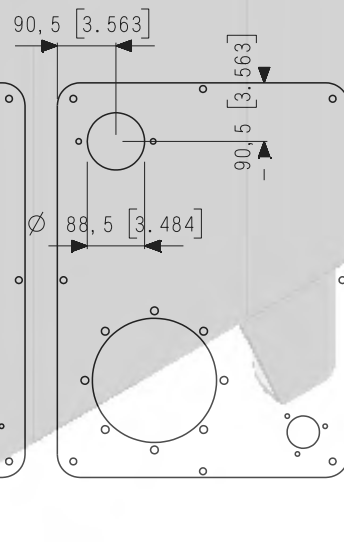


Weldless Steel Tank 70 Liter Type A (18,5 Gallon)

mm [in]

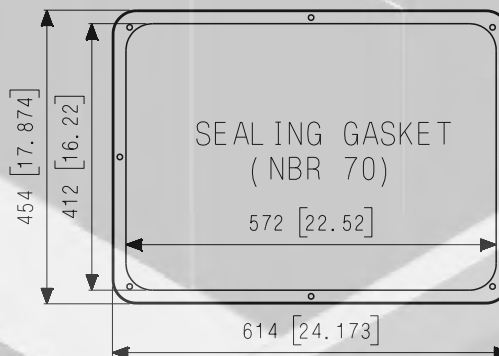
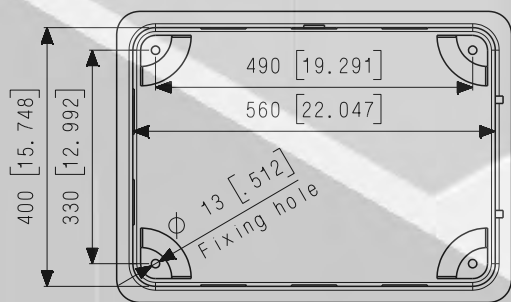
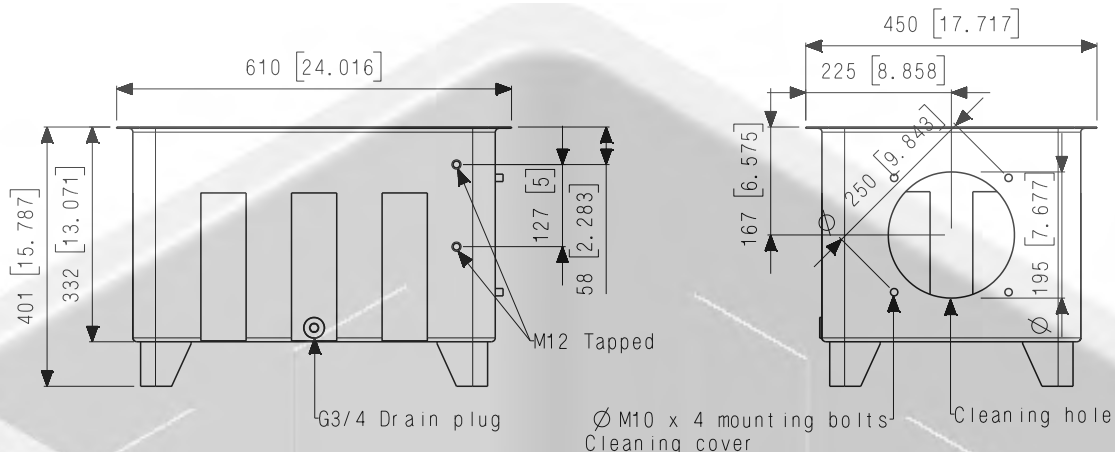


Lid 70 Liter (18,5 Gallon)

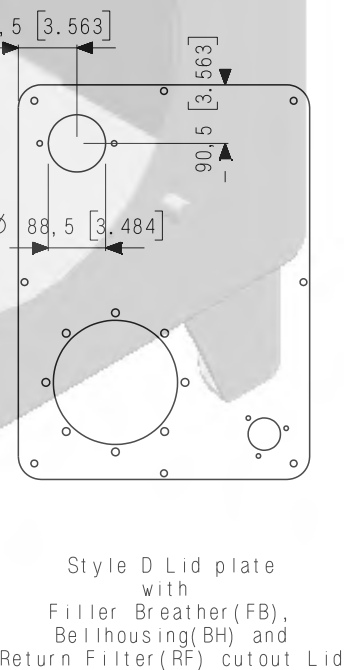
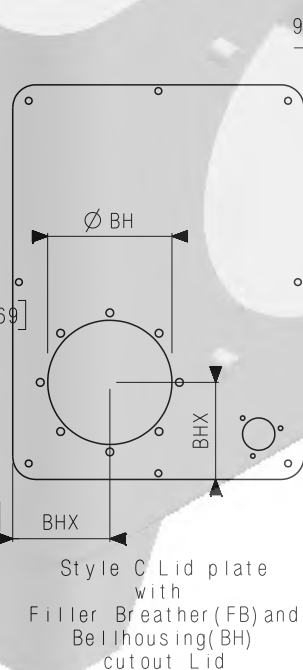
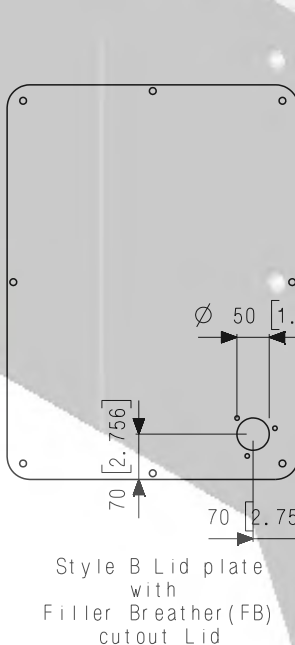
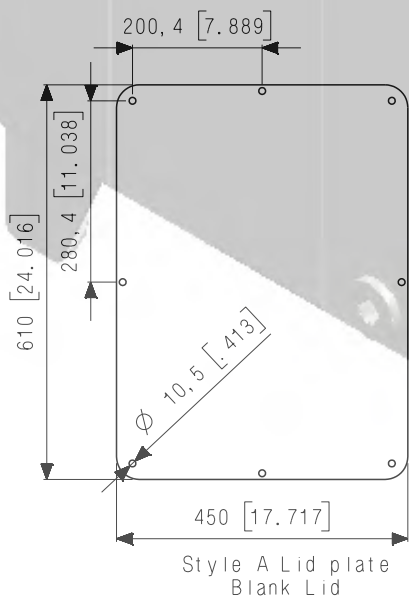

 Style A Lid plate
Blank Lid

 Style B Lid plate
with
Filler Breather (FB)
cutout Lid

 Style C Lid plate
with
Filler Breather (FB) and
Bellhousing (BH)
cutout Lid

 Style D Lid plate
with
Filler Breather (FB),
Bellhousing (BH) and
Return Filter (RF)
cutout Lid


Weldless Steel Tank 70 Liter Type B (18,5 Gallon)

mm [in]

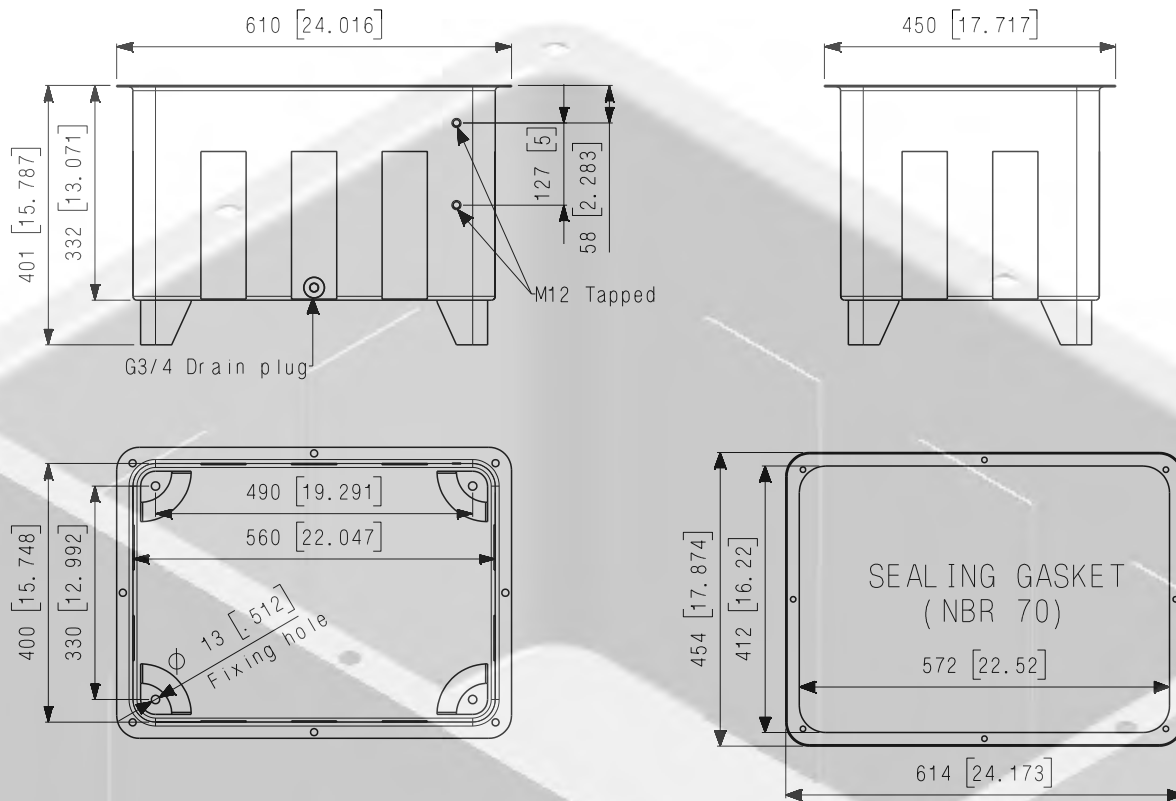


Lid 70 Liter (18,5 Gallon)



Weldless Steel Tank 70 Liter Type C (18,5 Gallon)

mm [in]



Lid 70 Liter (18,5 Gallon)

